

INLGDO4F4PTZ25X

Dual-lens 4MP Network PTZ Camera

- Fixed camera and PTZ camera integration
- Wide Dynamic Range (120 dB)
- H.265+ & H.264 encoding
- AI Features: People Flow Counting and Crowd Density Monitoring
- 25X optical zoom



NDAA
Compliant

Unify your Security Solution

You asked, we listened. Tailored especially for you, Legend is our **fully NDAA compliant brand**. It offers our latest technologies in a robust build with edge storage capacity. Legend by Inaxsys provides H.265+ compression and easy installation.

On-board Analytics

This camera responds accurately to specific events in a given area. Our algorithm enables Line Crossing violations, intrusion detection, and much more. Facilitate your viewing experience using on the edge analytics – one product, multiple features.

Seamless Integration of Fixed and PTZ Cameras

The integration ensures that you can maintain an overview of the entire environment while also having the flexibility to zoom in and scrutinize specific details when needed, all using a single IP address for streamlined management and control.



*Design and specifications are subjects to change without notice.



INLGDO4F4PTZ25X

Product Specifications

Dual-lens 4MP Network PTZ Camera

Camera	Panorama Lens	Motorized Lens			
Image Sensor	1/1.8", 4MP, CMOS	1/2.7", 4MP, CMOS			
Scanning System					
Electronic Shutter Speed	Auto/Manual, 1 ~ 1/100000s				
Minimum Illumination	Color:0.0005 lux (F1.0, AGC ON) 0 lux with warm light	Color:0.003 lux (F1.5, AGC ON) 0 lux with IR			
S/N Ratio	More than 56dB				
IR Distance	N/A	Up to 100m (328.1 ft)			
Warm Light Range	Up to 30m (98.4 ft)	N/A			
Wavelength	N/A	850nm (IR)			
IR On/Off Control	Auto/Manual				
Camera Features					
Day/Night	N/A	IR-cut filter with auto switch (ICR)			
BLC	Support				
White Balance	Auto/Outdoor/Fine Tune/Sodium Lamp/Locked/Auto2				
OSD	Up to 8 OSDs				
Noise Reduction	2D/3D DNR				
Privacy Masking	Up to 4 areas per scene	24 areas, up to 4 areas per scene			
Region of Interest	Up to 8 areas				
Defog	Digital defog				
Flip	Normal/Flip Vertical/Flip Horizontal/180°				
Lens					
Focal Length	4mm at F1.0	4.8~120mm at F1.5, AF automatic focusing and motorized zoom lens			
Iris	Fixed aperture; F1.0	Auto; F1.5 (W) ~ F3.8 (T)			
Field of View	H: 94.9° V: 51.5° D: 116.7°	H: 55.46° ~ 3.09° V: 32.94° ~ 1.73° D: 68.22° ~ 3.65°			
Optical Zoom	N/A	25x			
Wavelength	N/A	850nm (IR)			
DORI Distance	Lens	Detect	Observe	Recognize	Identify
	Pan: 4mm	62.1 (203.6 ft)	24.8 (81.5 ft)	12.4 (40.7 ft)	6.2 (20.4 ft)
	Moto: 4.8-120mm	123.8 (406.0 ft) 2475.0 (8120.1 ft)	49.5 (162.4 ft) 990.0 (3248.0 ft)	24.8 (81.2 ft) 495.0 (1624.0 ft)	12.4 (40.6 ft) 247.5 (812.0 ft)
Video					
Compression	H.265+, H.265, H.264, MJPEG				
Resolution / Frame Rate	Main Stream: 4MP, Max 30fps Sub Stream: 1080P, Max 30fps Third Stream: 720x576, Max 30fps		Main Stream: 4MP, Max 30fps Sub Stream: 720P, Max 30fps Third Stream: 720x576, Max 30fps		
Video Bit Rate	128 Kbps ~ 16 Mbps				
Audio					
Audio Compression	G.711U, G.711A				
Two-way Audio	Supported				
Suppression	Supported				
Sampling Rate	8 kHz				
Audio Bitrate	64 Kbps				

*Design and specifications are subjects to change without notice.



INLGDO4F4PTZ25X

Product Specifications

Dual-lens 4MP Network PTZ Camera

Pan & Tilt		
Pan Range	N/A	360°
Pan Speed	N/A	0.1°/s ~ 80°/s
	Preset speed: N/A	Preset speed: 80°/s
Tilt Range	18° ± 5°	-15° ~ 90°
Tilt Speed	N/A	0.1°/s ~ 80°/s
	Preset speed: N/A	Preset speed: 80°/s
Number of Presets	1024	
Preset Patrol	16 patrols, up to 64 presets for each patrol	
Warm Light Range	16 patrols, up to 32 actions for each patrol	
Wavelength	16 patrols, up to 128 actions for each patrol	
Patrol Stay Time	15s~1800s	
Interface		
Audio I/O	1/1	
Alarm I/O	2/1	
Serial Port	1 RS485	
Built-in Mic	N/A	
Built-in Speaker	Supported	
Certification		
EMC	CE-EMC (EN 55032: 2015+A1:2020,EN 61000-3-3: 2013+A1: 2019, EN IEC 61000-3-2: 2019+A1: 2021,EN 55035: 2017+A11:2020) FCC (FCC CFR 47 part15 B, ANSI C63.4-2014)	
Safety	CE LVD (EN 62368-1:2014+A11:2017) CB (IEC 62368-1:2014) UL (UL 62368-1, 2nd Ed., Issue Date: 2014-12-01)	
Environment	CE-RoHS (2011/65/EU;(EU)2015/863); WEEE (2012/19/EU); Reach (Regulation (EC) No 1907/2006)	
Protection	IP66 (IEC 60529:1989+AMD1:1999+AMD2:2013)	

*Design and specifications are subjects to change without notice.



INLGDO4F4PTZ25X

Product Specifications

Dual-lens 4MP Network PTZ Camera

Intelligent Functions		
Smart Intrusion Prevention	Supports false alarm filtering: Cross line detection, Intrusion detection, Enter area detection, Leave area detection	
People Counting	Supports people flow counting and crowd density monitoring	
Linkage Function	Triggered by fixed lens via smart intrusion prevention function to track target	N/A
Events		
Basic Detection	Motion detection, Audio detection, Tampering Alarm	
Auto Tracking	N/A	Supported
General Function	Watermark, IP Address Filtering, Alarm input, Alarm output, Access Policy, ARP Protection, RTSP Authentication, User Authentication	
Network		
Network	1 x RJ45 10M/100M Base-TX Ethernet	
Protocol	IPv4, IGMP, ICMP, ARP, TCP, UDP, DHCP, PPPoE, RTP, RTSP, RTCP, DNS, DDNS, NTP, FTP, UPnP, HTTP, HTTPS, SMTP, 802.1x, SNMP, QoS, RTMP, SSL/TLS	
Compatibility	ONVIF (Profile S, Profile G, Profile T), API, SDK	
Video Software Management	Legend VMS, Arkiv	
Storage	ANR; NAS; Micro SD card up to 256GB	
User/Host	Up to 32 users. 3 user levels: Administrator, operator and common user	
Security	Password protection, strong password, HTTPS encryption, Export operation logs, basic and digest authentication for RTSP, digest authentication for HTTP, TLS 1.2, WSSE and digest authentication for ONVIF	
General		
Power Supply	AC 24V±25%, DC 24V±25%, PoE (IEEE802.3 at)	
Power Consumption	Less than 48W	
Working Environment	-40°C to 65°C (-40°F ~ +158°F); Less than 95% RH	
Ingress Protection	IP66	
Weight	11.68 lbs (5.3kg)	
Dimensions	Ø 227 x 359.4mm (Ø 8.9" x 14.2")	

*Design and specifications are subjects to change without notice.



INLGDO4F4PTZ25X

Product Specifications

Dual-lens 4MP Network PTZ Camera



XLGJB12
Junction Box



XLGWE45A
Wall Mount



XLGUC08
Corner Mount



XLGSE45
Pendant Mount



XLGSE45-A
Pendant Mount



XLGUF45-A
Pendant Mount



XLGCE45
Pendant PTZ Mount



XLGWE45
Wall Mount



XLGWE45-B
PTZ Parapet Mount



XLGUP08
Pole Mount



XLGUP08-B
Pole Mount



XLGUC08-B
Corner Mount



VUSD256G
Micro SD Card

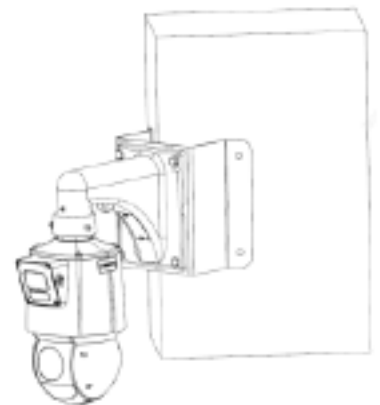
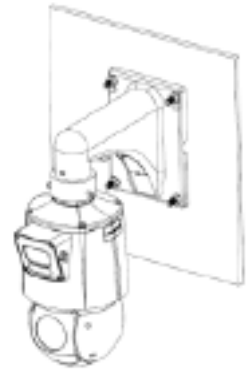
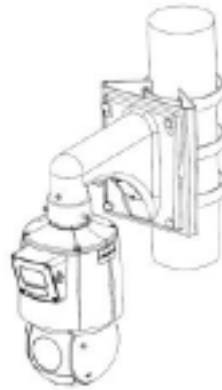
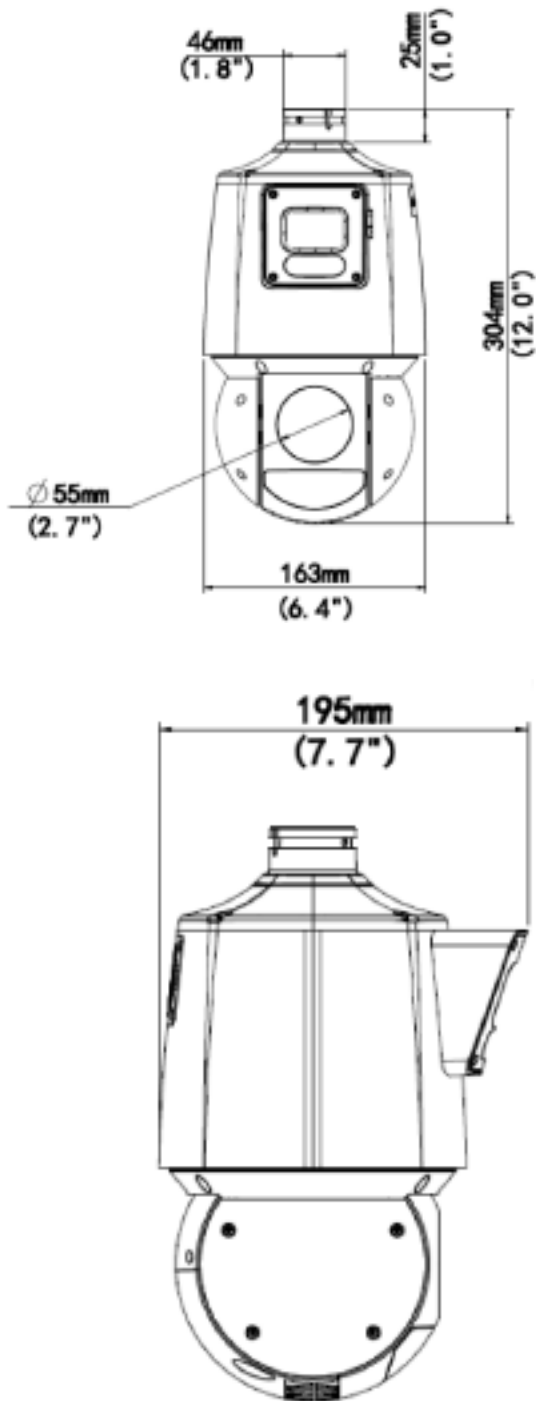
*Design and specifications are subjects to change without notice.



INLGDO4F4PTZ25X

Product Specifications

Dual-lens 4MP Network PTZ Camera



*Design and specifications are subjects to change without notice.

